

**PLEASE CHECK WWW.MOLEX.COM FOR LATEST PART INFORMATION**

**Part Number:** [0432238007](#)  
**Status:** **Active**  
**Overview:** [modular\\_plugs\\_jacks](#)  
**Description:** Modular Jack, Right Angle, Low Profile, 8/10, 4 Ports

**Documents:**

[3D Model](#) [Product Specification PS-43223-001 \(PDF\)](#)  
[Drawing \(PDF\)](#) [RoHS Certificate of Compliance \(PDF\)](#)

**Agency Certification**

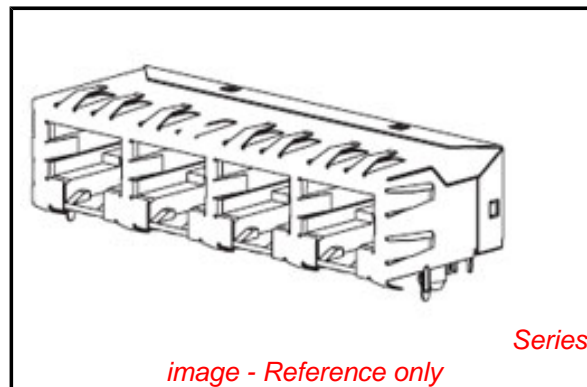
CSA LR19980  
 UL E107635

**General**

Product Family Modular Jacks/Plugs  
 Series [43223](#)  
 Component Type PCB Jack  
 Magnetic No  
 Overview [modular\\_plugs\\_jacks](#)  
 Performance Category 3  
 Power over Ethernet (PoE) N/A  
 Product Name RJ45

**Physical**

Boot Color N/A  
 Color - Resin Black  
 Durability (mating cycles max) 500  
 Flammability 94V-0  
 Inverted / Top Latch No  
 Keying to Mating Part None  
 Lightpipes/LEDs None  
 Material - Metal Phosphor Bronze  
 Material - Plating Mating Gold  
 Material - Plating Termination Tin  
 Material - Resin High Temperature Thermoplastic  
 Orientation Right Angle (Side Entry)  
 PCB Locator Yes  
 PCB Retention Yes  
 PCB Thickness Recommended (in) 0.062 In  
 PCB Thickness Recommended (mm) 1.57 mm  
 Packaging Type Tray  
 Panel Mount Without Flange  
 Pitch - Mating Interface (in) 0.040 In  
 Pitch - Mating Interface (mm) 1.02 mm  
 Pitch - Term. Interface (in) 0.050 In  
 Pitch - Term. Interface (mm) 1.27 mm  
 Plating min: Mating (µin) 50  
 Plating min: Mating (µm) 1.25  
 Plating min: Termination (µin) 100  
 Plating min: Termination (µm) 2.5  
 Ports 4  
 Positions / Loaded Contacts 8/10  
 Surface Mount Compatible (SMC) No  
 Temperature Range - Operating -40°C to +85°C  
 Termination Interface: Style Through Hole  
 Waterproof / Dustproof No



**EU RoHS**

**ELV and RoHS  
 Compliant**  
**REACH SVHC**  
 Not Reviewed  
**Halogen-Free  
 Status**  
**Not Reviewed**

**China RoHS**



**Need more information on product  
 environmental compliance?**

Email [productcompliance@molex.com](mailto:productcompliance@molex.com)  
 For a multiple part number RoHS Certificate of  
 Compliance, [click here](#)

Please visit the [Contact Us](#) section for any  
 non-product compliance questions.

**Search Parts in this Series**

[43223Series](#)

**Mates With**

FCC 68 Plugs

|                               |               |
|-------------------------------|---------------|
| Wire/Cable Type               | N/A           |
| <b>Electrical</b>             |               |
| Current - Maximum per Contact | 1.5A          |
| Grounding to PCB              | Yes           |
| Grounding to Panel            | None          |
| Shielded                      | No            |
| Voltage - Maximum             | 150V AC (RMS) |

**Solder Process Data**

|                              |                        |
|------------------------------|------------------------|
| Lead-free Process Capability | Wave Capable (TH only) |
|------------------------------|------------------------|

**Material Info**

|                 |            |
|-----------------|------------|
| Old Part Number | A432238007 |
|-----------------|------------|

**Reference - Drawing Numbers**

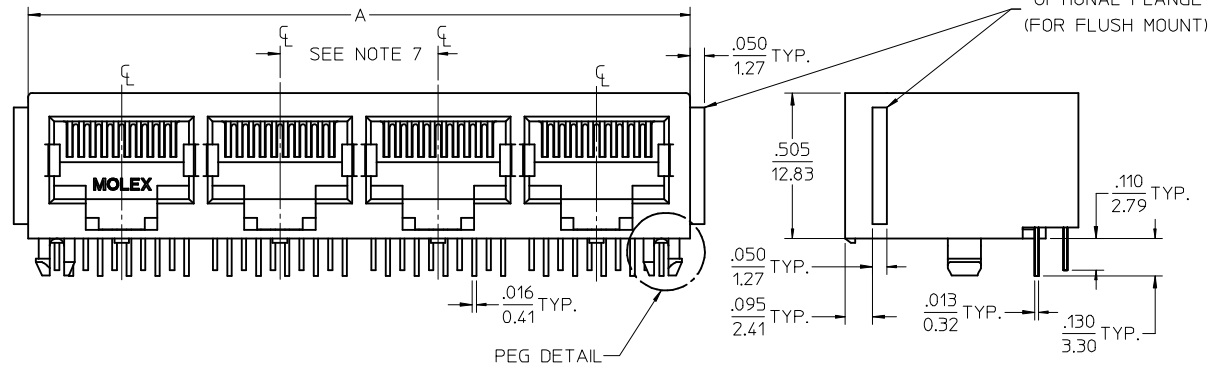
|                         |              |
|-------------------------|--------------|
| Packaging Specification | PK-43249-004 |
| Product Specification   | PS-43223-001 |
| Sales Drawing           | SDA-43223    |
| Test Summary            | TS-43223-001 |

This document was generated on 06/07/2010

**PLEASE CHECK [WWW.MOLEX.COM](http://WWW.MOLEX.COM) FOR LATEST PART INFORMATION**

NOTES:

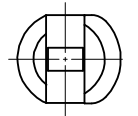
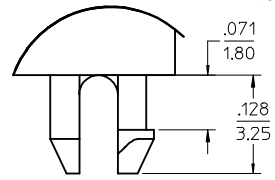
- 1) MATERIAL:  
HOUSING: GLASS FILLED NYLON, UL94V-0, COLOR: BLACK  
INSULATOR: GLASS FILLED NYLON, UL94V-0, COLOR: BLACK  
TERMINALS: PHOSPHOR BRONZE: .012/ 0.30 THICK
- 2) FINISH:  
TERMINALS:  
SELECT GOLD IN CONTACT AREA: 50 MICROINCHES/ 1.27 MICROMETERS MIN.,  
\*SELECT TIN IN PC TAIL AREA: 100 MICROINCHES/ 2.54 MICROMETERS MIN.,  
WITH OVERALL NICKEL UNDERPLATE: 50 MICROINCHES/ 1.27 MICROMETERS MIN.  
\*THE PRIMARY SHIPPING CARTON WILL BE LABELED "COMPLIANT TO RoHS DIRECTIVE 2002/95/EC AND ELV ANNEX II OF DIRECTIVE 2000/53/EC".  
CARTONS WITHOUT THIS LABEL MAY CONTAIN PRODUCT WITH TIN-LEAD IN THE PC TAIL AREA.
- 3) PRODUCT SPECIFICATION AND PROCESSING PARAMETERS: PS-43223-001.
- 4) PACKAGING SPECIFICATION:  
UNSHIELDED CONNECTOR ASSEMBLIES PACKAGED IN TRAYS PER MOLEX PACKAGING SPECIFICATION PK-43249-004.
- 5) SEE SHEETS 4-6 FOR P.C. BOARD LAYOUTS.
- 6) SEE SHEET 2 FOR THE SHIELDED JACK ASSEMBLY.
- 7) FOR 6 CIRCUIT JACKS CENTERLINE TO CENTERLINE SPACING IS .448/ 11.38, FOR 8 CIRCUIT JACKS CENTERLINE TO CENTERLINE SPACING IS .550/ 13.97.
- 8) ALL UNTOLERANCED DIMENSIONS ARE SHOWN FOR REFERENCE ONLY.
- 9) THIS PART CONFORMS TO CLASS B REQUIREMENTS OF COSMETIC SPECIFICATION PS-45499-002.



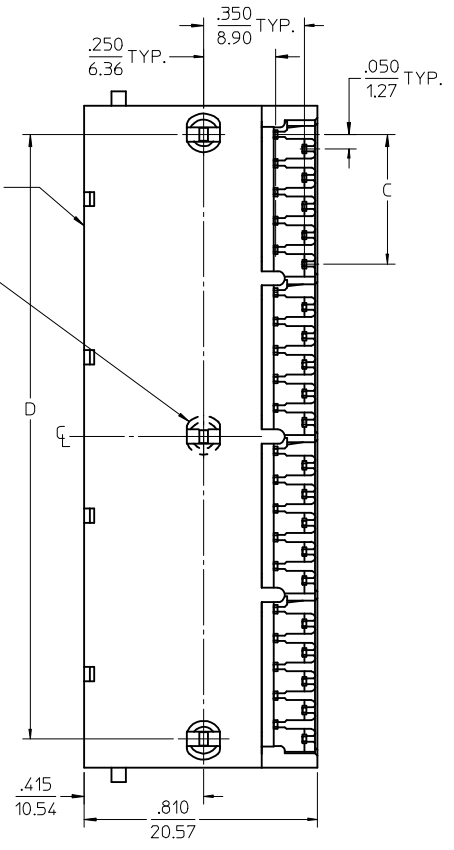
4 PORT 8 LOADED  
10 JACK SHOWN

UNSHIELDED GANGED JACK ASSEMBLY  
SEE SHEET 3

CENTER PEG  
(8 PORT ASSY. ONLY)



SNAP-FIT  
PEG DETAIL  
SCALE 8:1



6 CIRCUIT HOUSING

| CIRCUIT SIZE | NO. OF PORTS | DIM. A           | DIM. C         | DIM. D           |
|--------------|--------------|------------------|----------------|------------------|
| 6            | 2            | .985<br>(25.02)  | .250<br>(6.35) | .848<br>(21.54)  |
| 4            | 2            | .985<br>(25.02)  | .150<br>(3.81) | .848<br>(21.54)  |
| 2            | 2            | .985<br>(25.02)  | .050<br>(1.27) | .848<br>(21.54)  |
| 6            | 3            | 1.433<br>(36.40) | .250<br>(6.35) | 1.296<br>(32.92) |
| 4            | 3            | 1.433<br>(36.40) | .150<br>(3.81) | 1.296<br>(32.92) |
| 2            | 3            | 1.433<br>(36.40) | .050<br>(1.27) | 1.296<br>(32.92) |
| 6            | 4            | 1.881<br>(47.78) | .250<br>(6.35) | 1.744<br>(44.30) |
| 4            | 4            | 1.881<br>(47.78) | .150<br>(3.81) | 1.744<br>(44.30) |
| 2            | 4            | 1.881<br>(47.78) | .050<br>(1.27) | 1.744<br>(44.30) |
| 6            | 5            | 2.329<br>(59.16) | .250<br>(6.35) | 2.192<br>(55.68) |
| 4            | 5            | 2.329<br>(59.16) | .150<br>(3.81) | 2.192<br>(55.68) |
| 2            | 5            | 2.329<br>(59.16) | .050<br>(1.27) | 2.192<br>(55.68) |
| 6            | 6            | 2.777<br>(70.54) | .250<br>(6.35) | 2.640<br>(67.06) |
| 4            | 6            | 2.777<br>(70.54) | .150<br>(3.81) | 2.640<br>(67.06) |
| 2            | 6            | 2.777<br>(70.54) | .050<br>(1.27) | 2.640<br>(67.06) |
| 6            | 8            | 3.673<br>(93.29) | .250<br>(6.35) | 3.536<br>(89.81) |
| 4            | 8            | 3.673<br>(93.29) | .150<br>(3.81) | 3.536<br>(89.81) |
| 2            | 8            | 3.673<br>(93.29) | .050<br>(1.27) | 3.536<br>(89.81) |

8 CIRCUIT HOUSING

| CIRCUIT SIZE | NO. OF PORTS | DIM. A            | DIM. C          | DIM. D            |
|--------------|--------------|-------------------|-----------------|-------------------|
| 10           | 2            | 1.200<br>(30.48)  | .450<br>(11.43) | 1.000<br>(25.40)  |
| 8            | 2            | 1.200<br>(30.48)  | .350<br>(8.89)  | 1.000<br>(25.40)  |
| 6            | 2            | 1.200<br>(30.48)  | .250<br>(6.35)  | 1.000<br>(25.40)  |
| 10           | 3            | 1.750<br>(44.45)  | .450<br>(11.43) | 1.550<br>(39.37)  |
| 8            | 3            | 1.750<br>(44.45)  | .350<br>(8.89)  | 1.550<br>(39.37)  |
| 6            | 3            | 1.750<br>(44.45)  | .250<br>(6.35)  | 1.550<br>(39.37)  |
| 4            | 3            | 1.750<br>(44.45)  | .150<br>(3.81)  | 1.550<br>(39.37)  |
| 10           | 4            | 2.300<br>(58.42)  | .450<br>(11.43) | 2.100<br>(53.34)  |
| 8            | 4            | 2.300<br>(58.42)  | .350<br>(8.89)  | 2.100<br>(53.34)  |
| 4            | 4            | 2.300<br>(58.42)  | .150<br>(3.81)  | 2.100<br>(53.34)  |
| 4            | 5            | 2.850<br>(72.39)  | .450<br>(11.43) | 2.650<br>(67.31)  |
| 10           | 5            | 2.850<br>(72.39)  | .350<br>(8.89)  | 2.650<br>(67.31)  |
| 8            | 5            | 2.850<br>(72.39)  | .250<br>(6.35)  | 2.650<br>(67.31)  |
| 10           | 6            | 3.400<br>(86.36)  | .450<br>(11.43) | 3.200<br>(81.28)  |
| 8            | 6            | 3.400<br>(86.36)  | .350<br>(8.89)  | 3.200<br>(81.28)  |
| 10           | 8            | 4.500<br>(114.30) | .450<br>(11.43) | 4.300<br>(109.22) |
| 8            | 8            | 4.500<br>(114.30) | .350<br>(8.89)  | 4.300<br>(109.22) |

ADD BLOCK TOL  
EC NO: UCP2009-0477  
DRWN: BELL 2008/09/05  
CHKD: BELL 2008/09/11  
APPR: FSMITH 2008/09/11

DESCRIPTION

REV: K1

QUALITY SYMBOLS

GENERAL TOLERANCES (UNLESS SPECIFIED)

|          | mm     | INCH   |
|----------|--------|--------|
| 4 PLACES | ± .15  | ± .005 |
| 3 PLACES | ± .10  | ± .005 |
| 2 PLACES | ± 0.38 | ± .015 |
| 1 PLACE  | ± .10  | ± .005 |

ANGULAR ±1/2°

DRAFT WHERE APPLICABLE  
MUST REMAIN  
WITHIN DIMENSIONS

DIMENSION STYLE  
IN/MM

SCALE  
3:1

DESIGN UNITS  
INCH

THIRD ANGLE PROJECTION

DRAWN BY  
JTR

DATE  
1993/10/18

CHECKED BY  
JTR

DATE  
1993/10/18

APPROVED BY  
RAS

DATE  
1993/10/18

MATERIAL NO.  
SEE SHTS 3

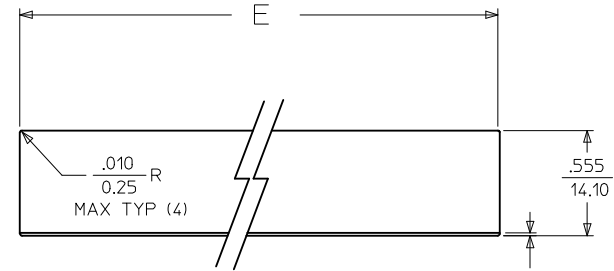
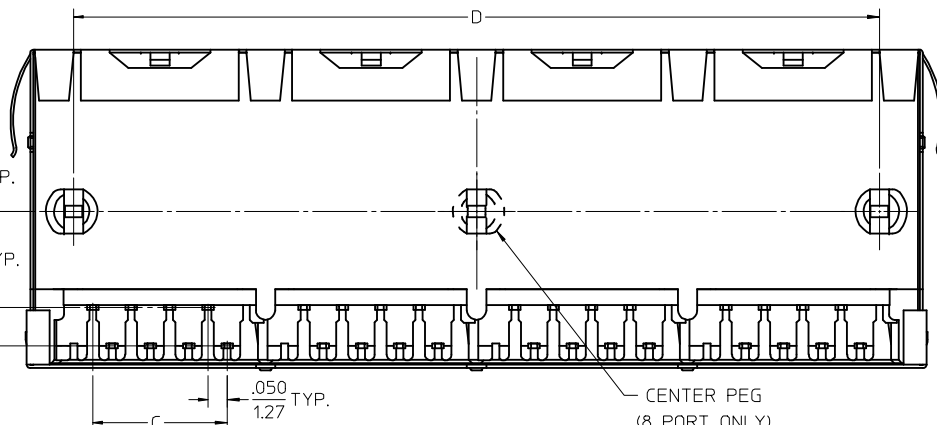
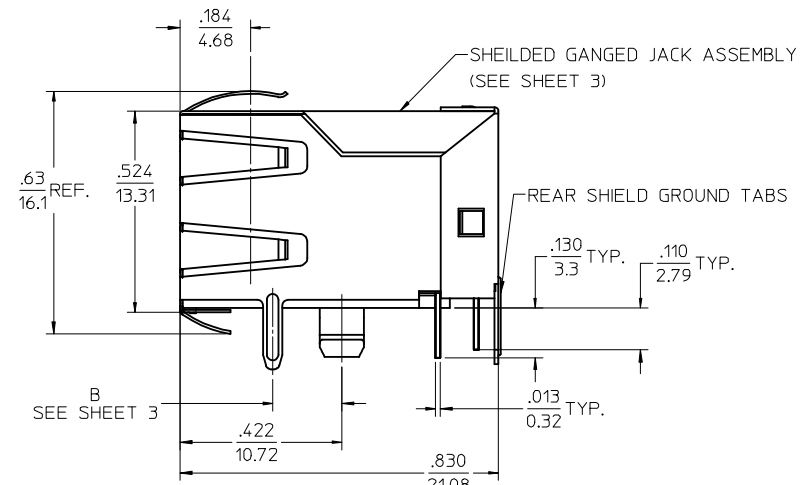
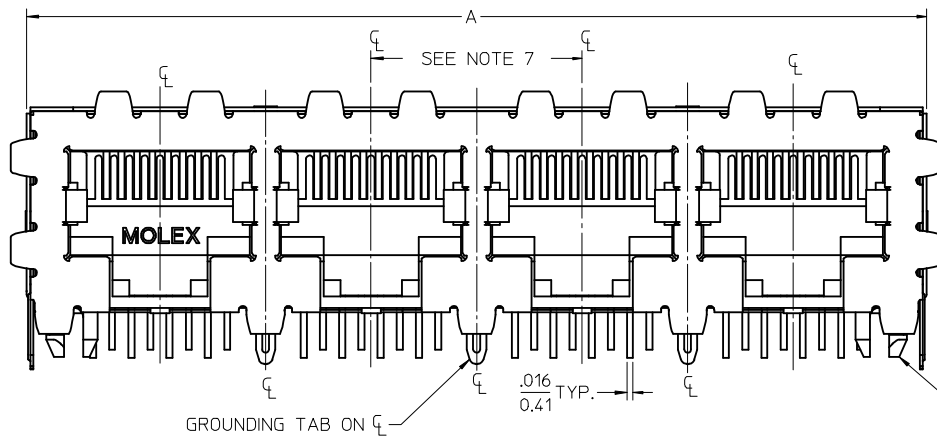
DOCUMENT NO.  
SDA-43223

LOW PROFILE GANGED,  
RIGHT ANGLE MODULAR JACK  
ASSEMBLY

MOLEX INCORPORATED

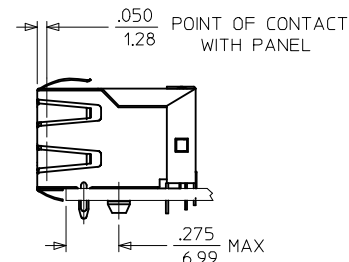
SHEET NO.  
1 OF 6

THIS DRAWING CONTAINS INFORMATION THAT IS PROPRIETARY TO MOLEX INCORPORATED AND SHOULD NOT BE USED WITHOUT WRITTEN PERMISSION



SUGGESTED PANEL OPENING

SCALE : 2/1



4 PORT 8 LOADED  
8 JACK SHOWN

- NOTES:
- 1) MATERIAL:  
HOUSING: GLASS FILLED NYLON, UL94V-0, COLOR: BLACK  
INSULATOR: GLASS FILLED NYLON, UL94V-0, COLOR: BLACK  
TERMINALS: PHOSPHOR BRONZE: .012/ 0.30 THICK  
SHIELD: BRASS, FRONT .007/ 0.18 THICK, REAR .010/ 0.25 THICK
  - 2) FINISH:  
TERMINALS:  
SELECT GOLD IN CONTACT AREA: 50 MICROINCHES/ 1.27 MICROMETERS MIN.,  
\*SELECT TIN IN PC TAIL AREA: 100 MICROINCHES/ 2.54 MICROMETERS MIN.,  
WITH OVERALL NICKEL UNDERPLATE: 50 MICROINCHES/ 1.27 MICROMETERS MIN.  
SHIELD:  
\*100 MICROINCHES/ 2.54 MICROMETERS NICKEL OVER 50 MICROINCHES/ 1.27 MICROMETERS COPPER UNDERPLATE. PCB GROUND TABS DIPPED IN TIN  
\*THE PRIMARY SHIPPING CARTON WILL BE LABELED "COMPLIANT TO RoHS DIRECTIVE 2002/95/EC AND ELV ANNEX II OF DIRECTIVE 2000/53/EC". CARTONS WITHOUT THIS LABEL MAY CONTAIN PRODUCT WITH TIN-LEAD IN THE PC TAIL AND/OR SHIELD.
  - 3) PRODUCT SPECIFICATION AND PROCESSING PARAMETERS: PS-43223-001.
  - 4) PACKAGING SPECIFICATION:  
SHIELDED CONNECTOR ASSEMBLIES PACKAGED IN TRAYS PER MOLEX PACKAGING SPECIFICATION PK-44150-004.
  - 5) SEE SHEETS 4-6 FOR P.C. BOARD LAYOUTS.
  - 6) REAR SHIELD IS AVAILABLE WITH (1) CENTERED GROUND TAB ON 4 & 8 PORT VERSIONS.
  - 7) 8 CIRCUIT JACKS CENTERLINE TO CENTERLINE SPACING IS .550/ 13.97.
  - 8) ALL UNTOLERANCED DIMENSIONS ARE SHOWN FOR REFERENCE ONLY.
  - 9) THIS PART CONFORMS TO CLASS B REQUIREMENTS OF COSMETIC SPECIFICATION PS-45499-002.

| HOUSING SIZE | CIRCUIT SIZE | NO. OF PORTS | DIM. A         | DIM. C      | DIM. D         | DIM. E         |
|--------------|--------------|--------------|----------------|-------------|----------------|----------------|
| 8            | 8            | 2            | 1.224 (31.09)  | .350 (8.89) | 1.000 (25.40)  | 1.255 (31.88)  |
| 8            | 8            | 4            | 2.324 (59.03)  | .350 (8.89) | 2.100 (53.34)  | 2.355 (59.82)  |
| 8            | 8            | 6            | 3.424 (86.97)  | .350 (8.89) | 3.200 (81.28)  | 3.455 (87.76)  |
| 8            | 8            | 8            | 4.524 (114.91) | .350 (8.89) | 4.300 (109.22) | 4.555 (115.97) |
| 8            | 2            | 8            | 4.524 (114.91) | .050 (1.27) | 4.300 (109.22) | 4.555 (115.97) |

|   |  |   |  |  |   |                     |  |
|---|--|---|--|--|---|---------------------|--|
| SEE SHEET 1<br>EC NO: UCP2009-0477<br>DRWN:JBELL<br>CHKD:JBELL<br>APPR:FSMITH<br>2008/09/05<br>2008/09/11<br>2008/09/11 | QUALITY SYMBOLS<br>▽=0<br>▽=0                        | GENERAL TOLERANCES (UNLESS SPECIFIED)<br>mm INCH<br>4 PLACES ± --- ± ---<br>3 PLACES ± --- ± .015<br>2 PLACES ± 0.38 ± ---<br>1 PLACE ± --- ± ---<br>ANGULAR ± 1/2° | DIMENSION STYLE<br>IN/MM<br>DRAWN BY DATE<br>JTR 1993/10/18<br>CHECKED BY DATE<br>JTR 1993/10/18<br>APPROVED BY DATE<br>RAS 1993/10/18 | SCALE<br>4:1<br>DESIGN UNITS<br>INCH<br>THIRD ANGLE PROJECTION | TITLE<br>LOW PROFILE GANGED, RIGHT ANGLE MODULAR JACK ASSEMBLY<br>MOLEX MOLEX INCORPORATED<br>MATERIAL NO.<br>SEE SHTS 3<br>DOCUMENT NO.<br>SDA-43223 | SHEET NO.<br>2 OF 6 |  |
|   | DRAFT WHERE APPLICABLE MUST REMAIN WITHIN DIMENSIONS |   | THIS DRAWING CONTAINS INFORMATION THAT IS PROPRIETARY TO MOLEX INCORPORATED AND SHOULD NOT BE USED WITHOUT WRITTEN PERMISSION          |  |   |                     |  |
|   | K1   |   | SIZE C   |  |   |                     |  |
|   |  |   |  |  |   |                     |  |

FLUSH MOUNT (UNSHIELDED)

| ASSEMBLY NUMBER | CONNECTOR SIZE | NUMBER OF CIRCUITS | NUMBER OF PORTS | PACKAGING STYLE | PACKAGING SPECIFICATION |
|-----------------|----------------|--------------------|-----------------|-----------------|-------------------------|
| 43223-6001      | 6              | 6                  | 2               | TRAY            | PK-43249-004            |
| 43223-6004      | 6              | 6                  | 3               | ↑               | ↑                       |
| 43223-6007      | 6              | 6                  | 4               |                 |                         |
| 43223-6010      | 6              | 6                  | 5               |                 |                         |
| 43223-6013      | 6              | 6                  | 6               |                 |                         |
| 43223-6019      | 6              | 6                  | 8               |                 |                         |
| 43223-6022      | 6              | 4                  | 2               |                 |                         |
| 43223-6025      | 6              | 4                  | 3               |                 |                         |
| 43223-6028      | 6              | 4                  | 4               |                 |                         |
| 43223-6031      | 6              | 4                  | 5               |                 |                         |
| 43223-6034      | 6              | 4                  | 6               |                 |                         |
| 43223-6040      | 6              | 4                  | 8               |                 |                         |
| 43223-6043      | 6              | 2                  | 2               |                 |                         |
| 43223-6046      | 6              | 2                  | 3               |                 |                         |
| 43223-6049      | 6              | 2                  | 4               |                 |                         |
| 43223-6052      | 6              | 2                  | 5               |                 |                         |
| 43223-6055      | 6              | 2                  | 6               | ↓               | ↓                       |
| 43223-6058      | 6              | 2                  | 8               | TRAY            | PK-43249-004            |

|            |   |    |   |      |              |
|------------|---|----|---|------|--------------|
| 43223-8001 | 8 | 10 | 2 | TRAY | PK-43249-004 |
| 43223-8004 | 8 | 10 | 3 | ↑    | ↑            |
| 43223-8007 | 8 | 10 | 4 |      |              |
| 43223-8010 | 8 | 10 | 5 |      |              |
| 43223-8013 | 8 | 10 | 6 |      |              |
| 43223-8019 | 8 | 10 | 8 |      |              |
| 43223-8022 | 8 | 8  | 2 |      |              |
| 43223-8025 | 8 | 8  | 3 |      |              |
| 43223-8028 | 8 | 8  | 4 |      |              |
| 43223-8031 | 8 | 8  | 5 |      |              |
| 43223-8034 | 8 | 8  | 6 |      |              |
| 43223-8040 | 8 | 8  | 8 |      |              |
| 43223-8041 | 8 | 4  | 5 | ↓    | ↓            |
| 43223-8042 | 8 | 6  | 3 | TRAY | PK-43249-004 |

FLANGELESS (UNSHIELDED)

| ASSEMBLY NUMBER | CONNECTOR SIZE | NUMBER OF CIRCUITS | NUMBER OF PORTS | PACKAGING STYLE | PACKAGING SPECIFICATION |
|-----------------|----------------|--------------------|-----------------|-----------------|-------------------------|
| 43223-6101      | 6              | 6                  | 2               | TRAY            | PK-43249-004            |
| 43223-6104      | 6              | 6                  | 3               | ↑               | ↑                       |
| 43223-6107      | 6              | 6                  | 4               |                 |                         |
| 43223-6110      | 6              | 6                  | 5               |                 |                         |
| 43223-6113      | 6              | 6                  | 6               |                 |                         |
| 43223-6119      | 6              | 6                  | 8               |                 |                         |
| 43223-6122      | 6              | 4                  | 2               |                 |                         |
| 43223-6125      | 6              | 4                  | 3               |                 |                         |
| 43223-6128      | 6              | 4                  | 4               |                 |                         |
| 43223-6131      | 6              | 4                  | 5               |                 |                         |
| 43223-6134      | 6              | 4                  | 6               |                 |                         |
| 43223-6140      | 6              | 4                  | 8               |                 |                         |
| 43223-6143      | 6              | 2                  | 2               |                 |                         |
| 43223-6146      | 6              | 2                  | 3               |                 |                         |
| 43223-6149      | 6              | 2                  | 4               |                 |                         |
| 43223-6152      | 6              | 2                  | 5               |                 |                         |
| 43223-6155      | 6              | 2                  | 6               | ↓               | ↓                       |
| 43223-6158      | 6              | 2                  | 8               | TRAY            | PK-43249-004            |

|            |   |    |   |      |              |
|------------|---|----|---|------|--------------|
| 43223-8101 | 8 | 10 | 2 | TRAY | PK-43249-004 |
| 43223-8104 | 8 | 10 | 3 | ↑    | ↑            |
| 43223-8107 | 8 | 10 | 4 |      |              |
| 43223-8110 | 8 | 10 | 5 |      |              |
| 43223-8113 | 8 | 10 | 6 |      |              |
| 43223-8119 | 8 | 10 | 8 |      |              |
| 43223-8122 | 8 | 8  | 2 |      |              |
| 43223-8131 | 8 | 8  | 3 |      |              |
| 43223-8140 | 8 | 8  | 4 |      |              |
| 43223-8149 | 8 | 8  | 5 |      |              |
| 43223-8158 | 8 | 8  | 6 | ↓    | ↓            |
| 43223-8176 | 8 | 8  | 8 | TRAY | PK-43249-004 |

|            |   |   |   |      |              |
|------------|---|---|---|------|--------------|
| 43223-8191 | 8 | 6 | 2 | TUBE | PK-43249-005 |
| 43223-8192 | 8 | 4 | 4 | TUBE | PK-43249-005 |
| 43223-8193 | 8 | 4 | 3 | TUBE | PK-43249-005 |
| 43223-8195 | 8 | 8 | 2 | TUBE | PK-43249-005 |
| 43223-8196 | 8 | 8 | 3 | TUBE | PK-43249-005 |
| 43223-8197 | 8 | 8 | 4 | TUBE | PK-43249-005 |

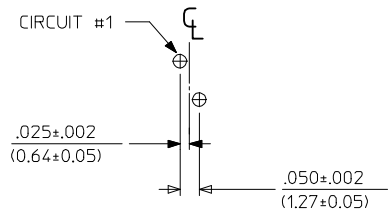
FLANGELESS (SHIELDED)

| ASSEMBLY NUMBER | DIMENSION "B" | CONNECTOR SIZE | NUMBER OF CIRCUITS | NUMBER OF PORTS | NUMBER OF REAR SHIELD GROUND TABS | PACKAGING STYLE | PACKAGING SPECIFICATION |
|-----------------|---------------|----------------|--------------------|-----------------|-----------------------------------|-----------------|-------------------------|
| 43223-8128      | .180          | 8              | 8                  | 2               | 1                                 | TRAY            | PK-44150-004            |
| 43223-8146      | .180          | 8              | 8                  | 4               | 3                                 | ↑               | ↑                       |
| 43223-8164      | .180          | 8              | 8                  | 6               | 5                                 |                 |                         |
| 43223-8182      | .180          | 8              | 8                  | 8               | 7                                 |                 |                         |
| 43223-8185      | .180          | 8              | 8                  | 8               | 1                                 |                 |                         |
| 43223-8188      | .180          | 8              | 8                  | 4               | 1                                 | ↓               | ↓                       |
| 43223-8194      | .180          | 8              | 2                  | 8               | 7                                 | TRAY            | PK-44150-004            |

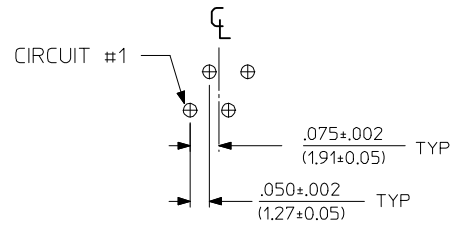
|            |      |   |   |   |   |      |              |
|------------|------|---|---|---|---|------|--------------|
| 43223-8301 | .145 | 8 | 8 | 2 | 1 | TRAY | PK-44150-004 |
| 43223-8302 | .145 | 8 | 8 | 4 | 3 | ↑    | ↑            |
| 43223-8303 | .145 | 8 | 8 | 6 | 5 |      |              |
| 43223-8304 | .145 | 8 | 8 | 8 | 7 |      |              |
| 43223-8305 | .145 | 8 | 8 | 8 | 1 |      |              |
| 43223-8306 | .145 | 8 | 8 | 4 | 1 | ↓    | ↓            |
| 43223-8307 | .145 | 8 | 2 | 8 | 7 | TRAY | PK-44150-004 |

SNAP FIT PEG VERSIONS

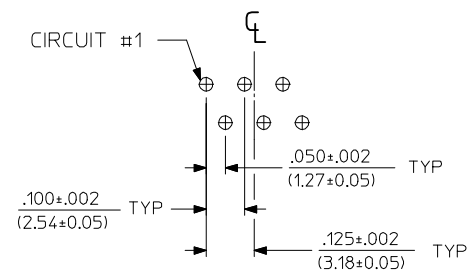
|   |                               |  |  |   |                      |                        |
|---|-------------------------------|--|--|---|----------------------|------------------------|
| SEE SHEET 1<br>EC NO: UCP2009-0477<br>DRWN:JBELL 2008/09/05<br>CHKD:JBELL 2008/09/11<br>APPR:FSM.LTH 2008/09/11<br>K1 | QUALITY SYMBOLS<br>▽=0<br>▽=0 | GENERAL TOLERANCES (UNLESS SPECIFIED)  | DIMENSION STYLE<br>IN/MM   | SCALE<br>2:1  | DESIGN UNITS<br>INCH | THIRD ANGLE PROJECTION |
|   |                               | 4 PLACES ± --- INCH<br>3 PLACES ± --- ±.015<br>2 PLACES ± 0.38 ± ---<br>1 PLACE ± --- ± ---                                      | DRAWN BY DATE<br>JTR 1993/10/18<br>CHECKED BY DATE<br>JTR 1993/10/18<br>APPROVED BY DATE<br>RAS 1993/10/18 | LOW PROFILE GANGED,<br>RIGHT ANGLE MODULAR JACK<br>ASSEMBLY |                      |                        |
|   |                               | ANGULAR ±1/2°<br>DRAFT WHERE APPLICABLE<br>MUST REMAIN<br>WITHIN DIMENSIONS  | MATERIAL NO.<br>SEE CHART<br>SIZE C  | MOLEX MOLEX INCORPORATED<br>SDA-43223                       | SHEET NO.<br>3 OF 6  |                        |
|   |                               | THIS DRAWING CONTAINS INFORMATION THAT IS PROPRIETARY TO MOLEX<br>INCORPORATED AND SHOULD NOT BE USED WITHOUT WRITTEN PERMISSION |  |   |                      |                        |



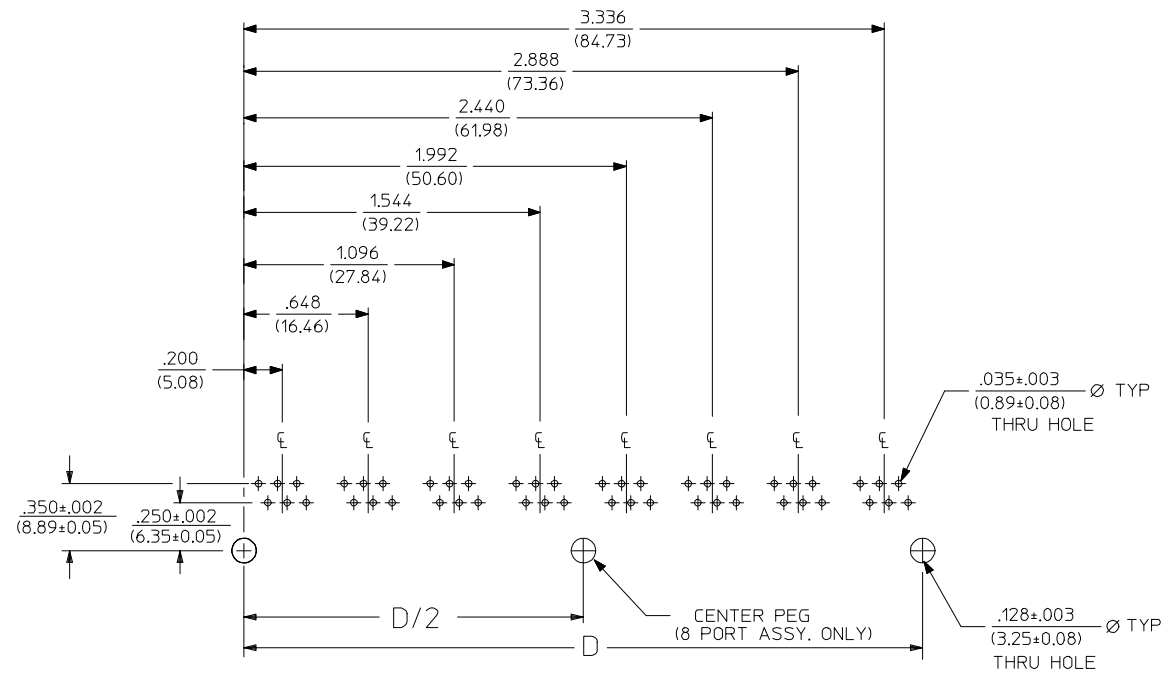
6 LOADED 2 DETAIL  
SCALE: 4/1



6 LOADED 4 DETAIL  
SCALE: 4/1



6 LOADED 6 DETAIL  
SCALE: 4/1



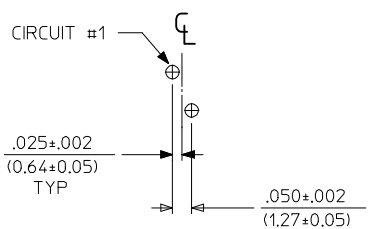
SUGGESTED P.C. BOARD LAYOUT  
COMPONENT SIDE OF BOARD  
8 PORT, 6 LOADED 6, LAYOUT SHOWN  
(SNAP-FIT VERSIONS)

NOTES:  
1. RECOMMENDED PCB THICKNESS .062±.005/(1.57±0.13)

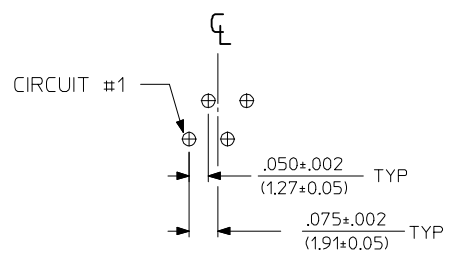
| NUMBER OF PORTS | DIM. D        |
|-----------------|---------------|
| 2               | .848 (21.54)  |
| 3               | 1.296 (32.92) |
| 4               | 1.744 (44.30) |
| 5               | 2.192 (55.68) |
| 6               | 2.640 (67.06) |
| 8               | 3.536 (89.81) |

|   |                               |  |  |                                 |                     |   |                                  |                            |  |
|---|-------------------------------|--|--|---------------------------------|---------------------|---|----------------------------------|----------------------------|--|
| <b>SEE SHEET 1</b><br>EC NO: UCP2009-0477<br>DRWN:JBELL 2008/09/05<br>CHKD:JBELL 2008/09/11<br>APPR:FSM1TH 2008/09/11<br>K1 | QUALITY SYMBOLS<br>▽=0<br>▽=0 | GENERAL TOLERANCES (UNLESS SPECIFIED)  |  | DIMENSION STYLE<br><b>IN/MM</b> | SCALE<br><b>2:1</b> | DESIGN UNITS<br><b>INCH</b>   | THIRD ANGLE PROJECTION           |                            |  |
|   |                               | 4 PLACES ± --- ± ---<br>3 PLACES ± --- ±.015<br>2 PLACES ± 0.38 ± ---<br>1 PLACE ± --- ± --- | mm INCH<br>± --- ± ---<br>±.015<br>± 0.38 ± ---<br>± --- ± --- | DRAWN BY<br>JTR                 | DATE<br>1993/10/18  | TITLE<br><b>LOW PROFILE GANGED, RIGHT ANGLE MODULAR JACK ASSEMBLY</b> |                                  |                            |  |
|   |                               | ANGULAR ±1/2°  |  | CHECKED BY<br>JTR               | DATE<br>1993/10/18  | MOLEX INCORPORATED  |                                  |                            |  |
|   |                               | DRAFT WHERE APPLICABLE MUST REMAIN WITHIN DIMENSIONS   |  | APPROVED BY<br>RAS              | DATE<br>1993/10/18  | MATERIAL NO.<br><b>SEE SHT 3</b>                                      | DOCUMENT NO.<br><b>SDA-43223</b> | SHEET NO.<br><b>4 OF 6</b> |  |

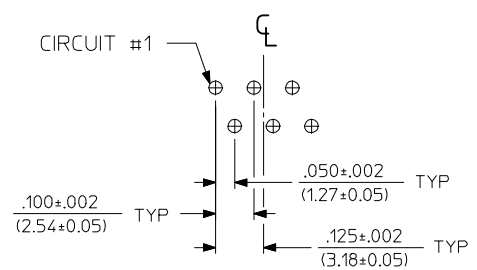
THIS DRAWING CONTAINS INFORMATION THAT IS PROPRIETARY TO MOLEX INCORPORATED AND SHOULD NOT BE USED WITHOUT WRITTEN PERMISSION



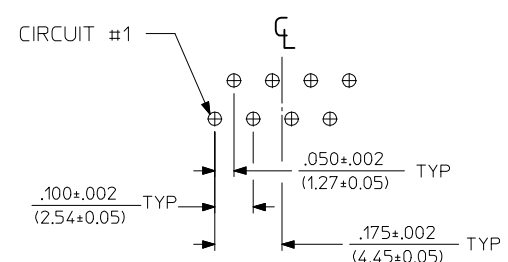
8 LOADED 2 DETAIL  
SCALE: 4/1



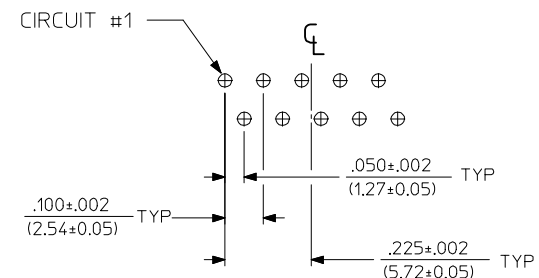
8 LOADED 4 DETAIL  
SCALE: 4/1



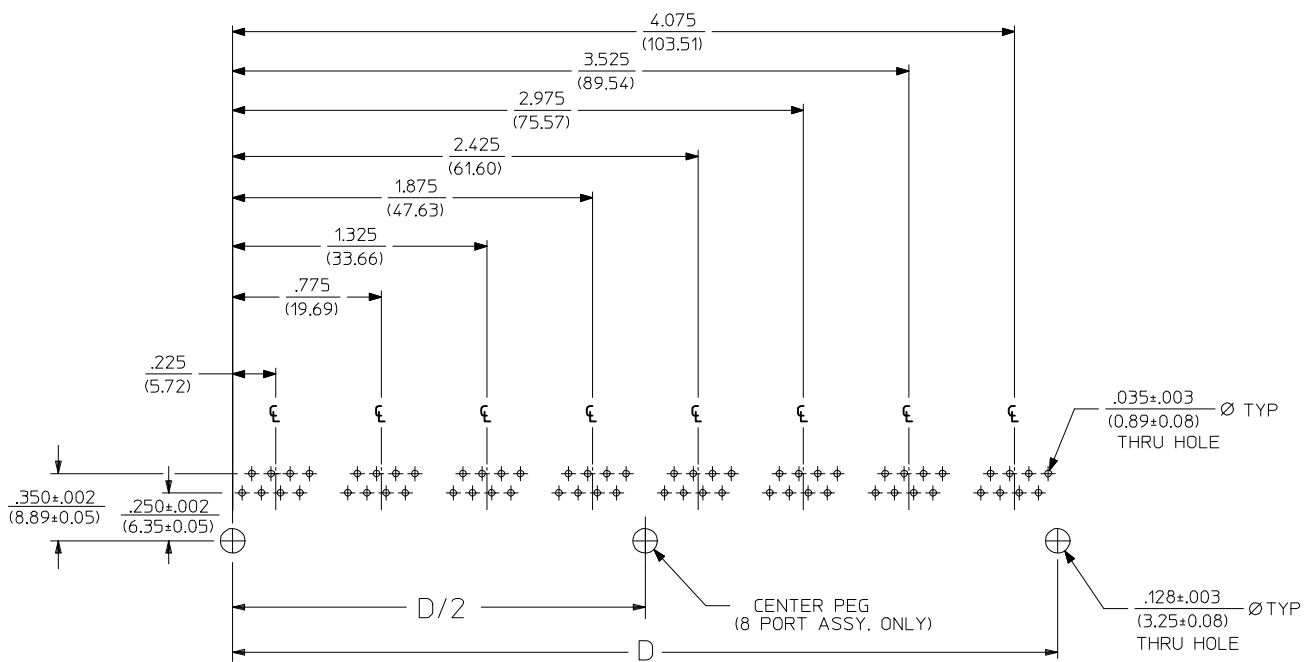
8 LOADED 6 DETAIL  
SCALE: 4/1



8 LOADED 8 DETAIL  
SCALE: 4/1



8 LOADED 10 DETAIL  
SCALE: 4/1



SUGGESTED P.C. BOARD LAYOUT  
COMPONENT SIDE OF BOARD  
8 PORT, 8 LOADED 8  
(SNAP-FIT VERSIONS)

NOTES:  
1. RECOMMENDED PCB THICKNESS: .062±.005/(1.57±0.13)

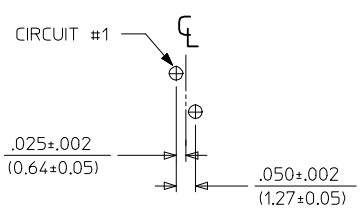
| NUMBER OF PORTS | DIM. D         |
|-----------------|----------------|
| 2               | 1.000 (25.40)  |
| 3               | 1.550 (39.37)  |
| 4               | 2.100 (53.34)  |
| 5               | 2.650 (67.31)  |
| 6               | 3.200 (81.28)  |
| 8               | 4.300 (109.32) |

|                        |                 |
|------------------------|-----------------|
| SEE SHEET 1            | QUALITY SYMBOLS |
| EC NO: UCP2009-0477    | ▽=0             |
| DRWN:JBELL 2008/09/05  | ▽=0             |
| CHKD:JBELL 2008/09/11  |                 |
| APPR:FSM/TH 2008/09/11 |                 |
| REV                    | DESCRIPTION     |
| K1                     |                 |

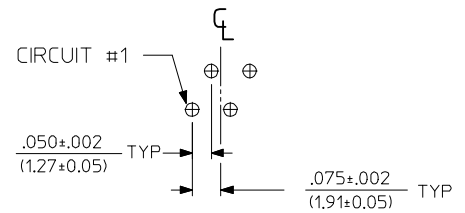
| GENERAL TOLERANCES (UNLESS SPECIFIED)                |         |
|--|---------|
|  | mm INCH |
| 4 PLACES ±   | ± .015  |
| 3 PLACES ±   | ± .015  |
| 2 PLACES ±   | ± .038  |
| 1 PLACE ±  | ± .075  |
| ANGULAR ±1/2°  |         |
| DRAFT WHERE APPLICABLE MUST REMAIN WITHIN DIMENSIONS |         |

| DIMENSION STYLE |   |
|-----------------|---|
| IN/MM           |   |
| DRAWN BY        | DATE  |
| JTR             | 1993/10/18  |
| CHECKED BY      | DATE  |
| JTR             | 1993/10/18  |
| APPROVED BY     | DATE  |
| RAS             | 1993/10/18  |
| MATERIAL NO.    | DOCUMENT NO.  |
| SEE SHT 3       | SDA-43223   |
| SIZE            | THIS DRAWING CONTAINS INFORMATION THAT IS PROPRIETARY TO MOLEX INCORPORATED AND SHOULD NOT BE USED WITHOUT WRITTEN PERMISSION |

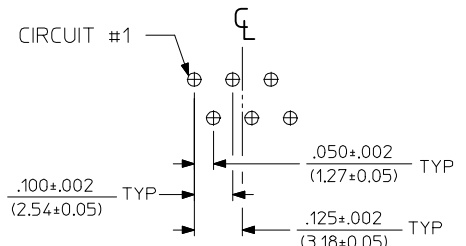
|                    |              |                        |
|--------------------|--------------|------------------------|
| SCALE              | DESIGN UNITS | THIRD ANGLE PROJECTION |
| 2:1                | INCH         |                        |
| MOLEX INCORPORATED |              |                        |
| SHEET NO.          |              | 5 OF 6                 |



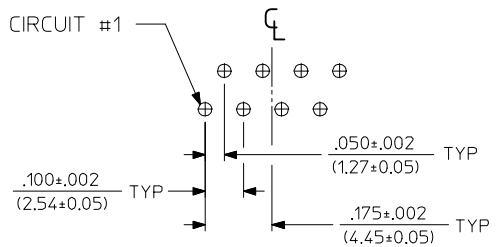
8 LOADED 2 DETAIL  
SCALE: 4/1



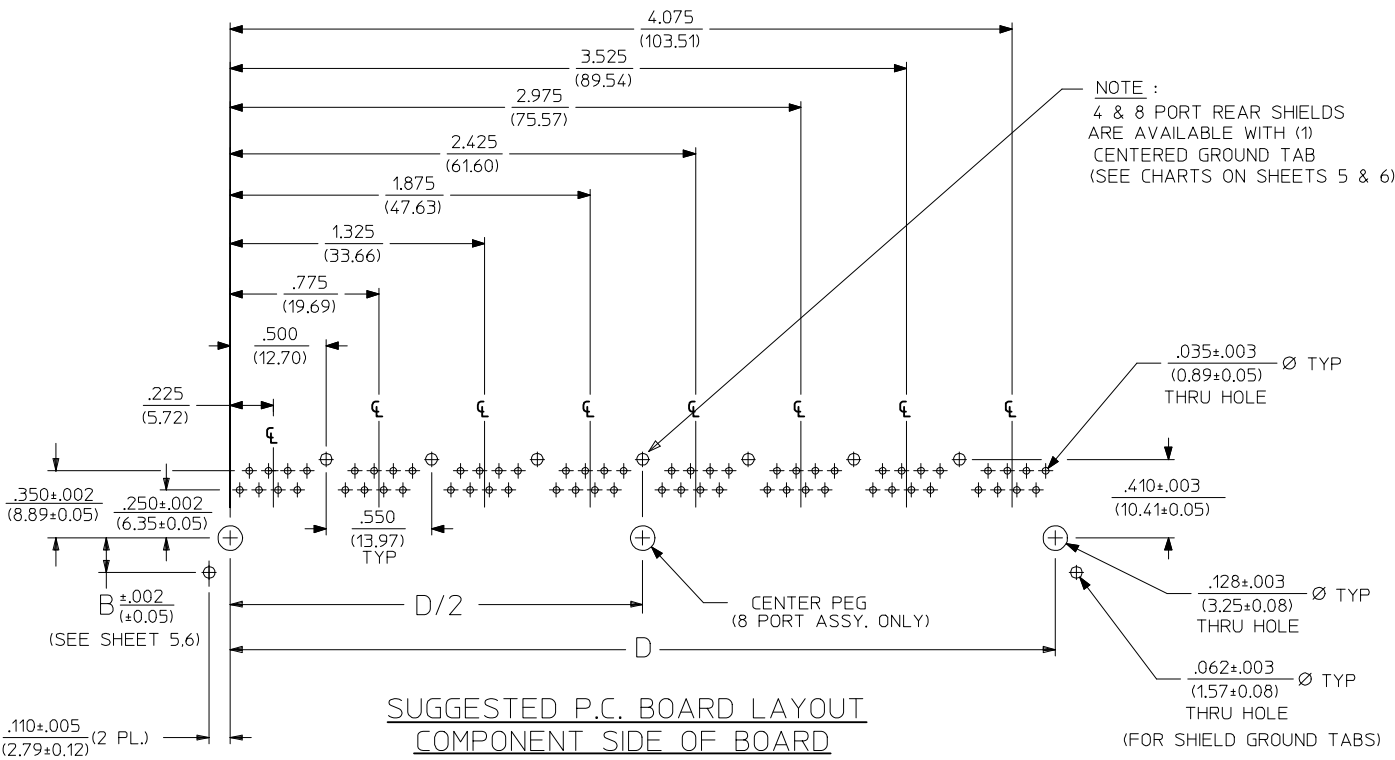
8 LOADED 4 DETAIL  
SCALE: 4/1



8 LOADED 6 DETAIL  
SCALE: 4/1



8 LOADED 8 DETAIL  
SCALE: 4/1



NOTE:  
4 & 8 PORT REAR SHIELDS  
ARE AVAILABLE WITH (1)  
CENTERED GROUND TAB  
(SEE CHARTS ON SHEETS 5 & 6)

SUGGESTED P.C. BOARD LAYOUT  
COMPONENT SIDE OF BOARD  
8 PORT, 8 LOADED 8  
(SHIELDED) LAYOUT SHOWN  
(SNAP-FIT VERSIONS)

NOTES:  
1. RECOMMENDED PCB THICKNESS: .062±.005/(1.57±0.13)

| NUMBER OF PORTS | DIM. D         |
|-----------------|----------------|
| 2               | 1.000 (25.40)  |
| 4               | 2.100 (53.34)  |
| 6               | 3.200 (81.28)  |
| 8               | 4.300 (109.32) |

| SEE SHEET 1<br>EC NO: UCP2009-0477<br>DRWN:JBELL 2008/09/05<br>CHKD:JBELL 2008/09/11<br>APPR:FSM/TH 2008/09/11<br>K1 | QUALITY SYMBOLS<br>▽=0<br>▽=0 | GENERAL TOLERANCES (UNLESS SPECIFIED)<br><table border="1"> <thead> <tr> <th></th> <th>mm</th> <th>INCH</th> </tr> </thead> <tbody> <tr> <td>4 PLACES</td> <td>± .---</td> <td>± .---</td> </tr> <tr> <td>3 PLACES</td> <td>± .---</td> <td>± .015</td> </tr> <tr> <td>2 PLACES</td> <td>± 0.38</td> <td>± .---</td> </tr> <tr> <td>1 PLACE</td> <td>± .---</td> <td>± .---</td> </tr> </tbody> </table> |                           | mm                       | INCH   | 4 PLACES | ± .--- | ± .--- | 3 PLACES | ± .--- | ± .015 | 2 PLACES | ± 0.38 | ± .--- | 1 PLACE | ± .--- | ± .--- | DIMENSION STYLE<br>IN/MM | SCALE<br>2:1 | DESIGN UNITS<br>INCH | THIRD ANGLE PROJECTION |
|--|-------------------------------|--|---------------------------|--------------------------|--|----------|--------|--------|----------|--------|--------|----------|--------|--------|---------|--------|--------|--------------------------|--------------|----------------------|------------------------|
|  |                               | mm   | INCH                      |                          |  |          |        |        |          |        |        |          |        |        |         |        |        |                          |              |                      |                        |
|  | 4 PLACES                      | ± .---   | ± .---                    |                          |  |          |        |        |          |        |        |          |        |        |         |        |        |                          |              |                      |                        |
|  | 3 PLACES                      | ± .---   | ± .015                    |                          |  |          |        |        |          |        |        |          |        |        |         |        |        |                          |              |                      |                        |
| 2 PLACES   | ± 0.38                        | ± .---   |                           |                          |  |          |        |        |          |        |        |          |        |        |         |        |        |                          |              |                      |                        |
| 1 PLACE  | ± .---                        | ± .---   |                           |                          |  |          |        |        |          |        |        |          |        |        |         |        |        |                          |              |                      |                        |
| DRAFT WHERE APPLICABLE MUST REMAIN WITHIN DIMENSIONS   |                               | MATERIAL NO.<br>SEE SHT 3  | DRAWN BY<br>JTR           | DATE<br>1993/10/18       | TITLE<br>LOW PROFILE GANGED, RIGHT ANGLE MODULAR JACK ASSEMBLY |          |        |        |          |        |        |          |        |        |         |        |        |                          |              |                      |                        |
|  |                               | APPROVED BY<br>RAS   | DATE<br>1993/10/18        | MOLEX MOLEX INCORPORATED |  |          |        |        |          |        |        |          |        |        |         |        |        |                          |              |                      |                        |
|  |                               | SIZE<br>C  | DOCUMENT NO.<br>SDA-43223 |                          | SHEET NO.<br>6 OF 6  |          |        |        |          |        |        |          |        |        |         |        |        |                          |              |                      |                        |